

12kV

IN THIS SECTION:

- Rating
- Dimension

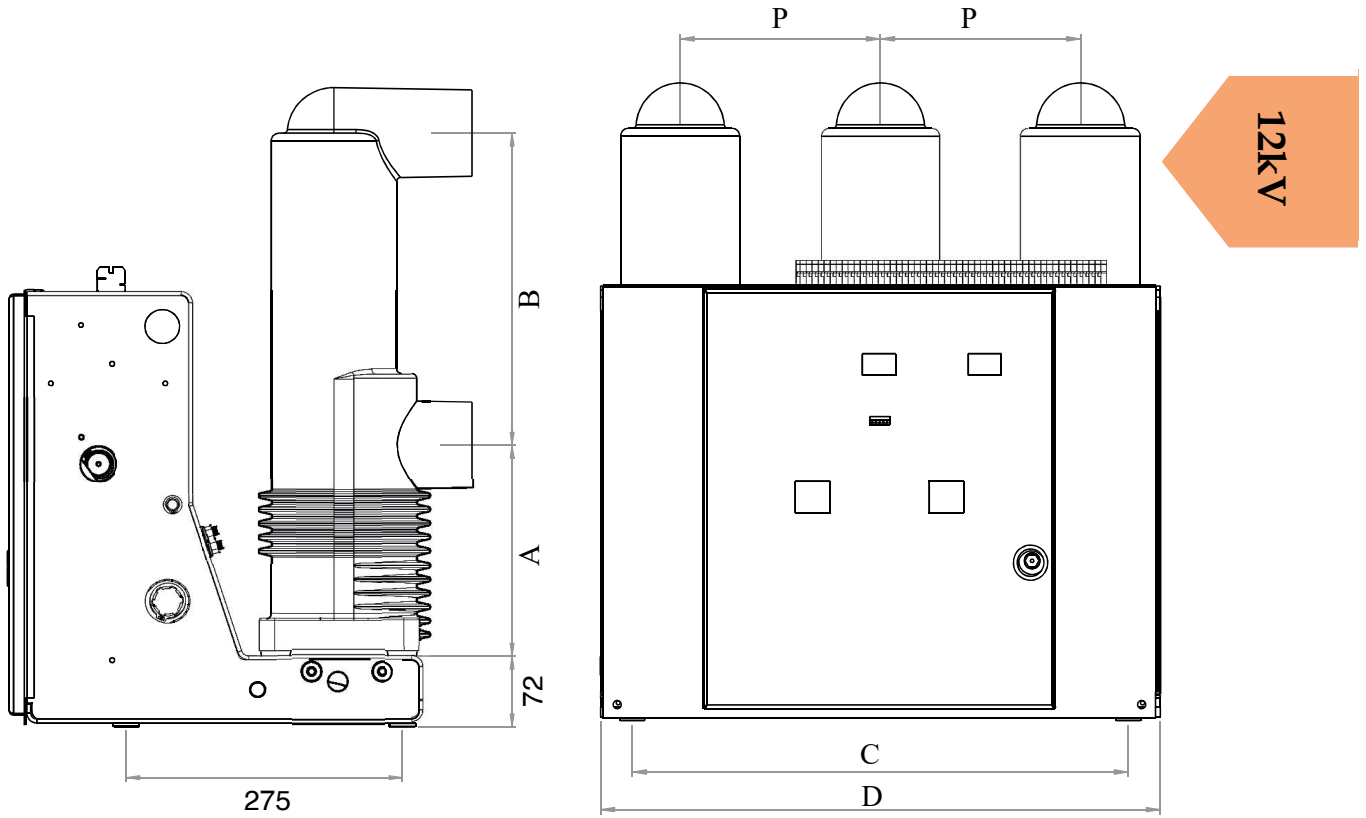
RATING

12kV

No.	Item	Unit	Model					
			KV1-214	<input type="checkbox"/>	KV1-215	<input type="checkbox"/>	KV1-216	<input type="checkbox"/>
1	Standard		IEC 62271-100					
2	Rated voltage	kV	12					
3	Rated frequency	Hz	50/60					
4	Rated current	A	630	1	630	1	630	1
			1250	2	1250	2	1250	2
			2000	4	2000	4	2000	4
			2500	6	2500	6	2500	6
			3150	7	3150	7	3150	7
			4000	8	4000	8	4000	8
5	Short time withstand current for 3sec	kA	25		31.5		40	
6	Rated short circuit current (peak)	kA	63		80		100	
7	Power frequency withstand voltage	kV, 1min	28/42 ¹					
8	Impulse withstand voltage	kV, 50x1.2μs	75					
9	Rated operating sequence		O-0.3S-CO-180S-CO					
10	Rated thermal stability time	s	3					
11	Mechanical life	times	10000					
12	Control voltage	V	DC 48,110,125,220 AC 110,125,220					
13	Opening time	ms	≤50					
14	Closing time	ms	≤100					
15	Breaking time	cycles	3					
16	Auxiliary contacts		min 8NO+8 NC Max 12NO+12NC					
17	Weight (Main-body)	kg	107	1	107	1	115	1
			107	2	107	2	115	2
			137	4	137	4	137	4
			158	6	158	6	163	6
			183	7	183	7	185	7
			183	8	183	8	185	8

1) Power frequency withstand voltage 42kV is available on request.

DIMENSIONS

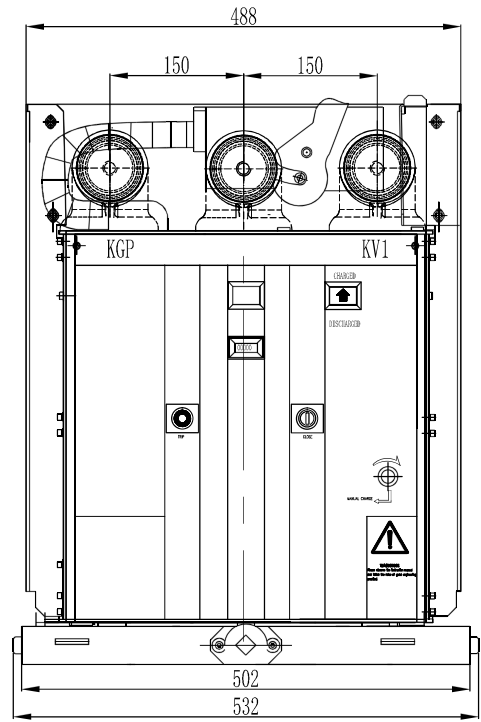
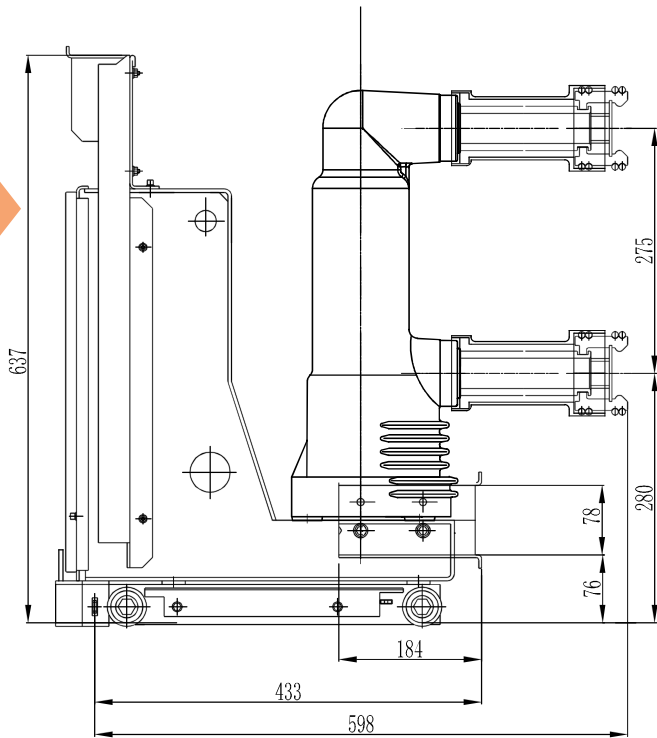


Model	Current(A)	STC(kA)			P			A	B	C	D
		25	31.5	40	150	210	275				
Fix- 12kV	630	✓	✓	-	✓	-	-	165	275	385	440
		✓	✓	✓	-	✓	-			520	588
	1250	✓	✓	-	✓	-	-	165	275	385	440
		✓	✓	✓	-	✓	-			520	588
	2000	✓	✓	✓	-	✓	-	180	310	520	588
	2500	✓	✓	✓	-	-	✓	180	310	720	770
	3150	✓	✓	✓	-	-	✓	180	310	720	770
4000	✓	✓	✓	-	-	✓	180	310	720	770	

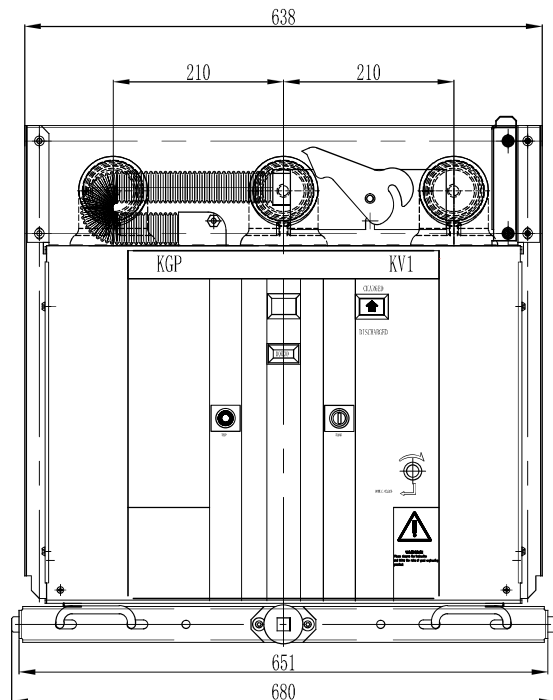
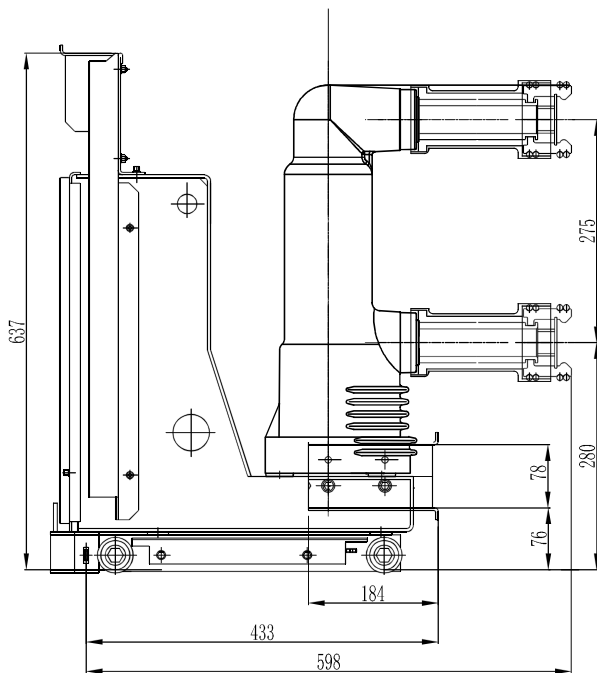
Unit: mm

Withdrawable type: KV1-2152/2151/2142/2141 C

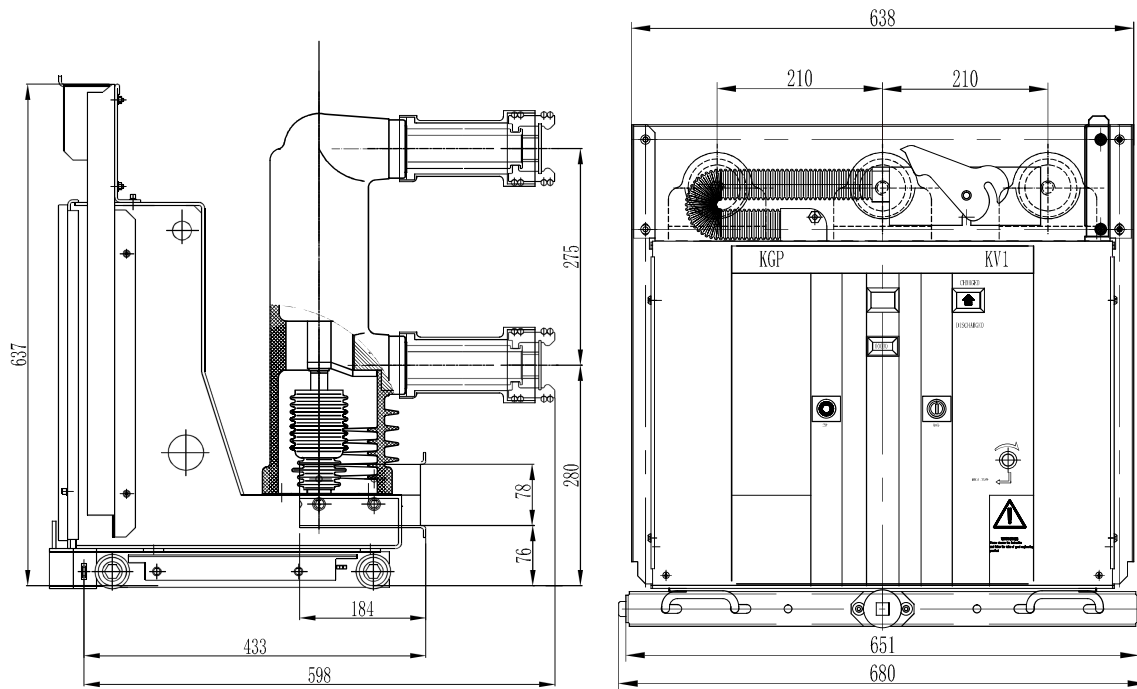
12kV



Withdrawable type: KV1-2152/2151 F

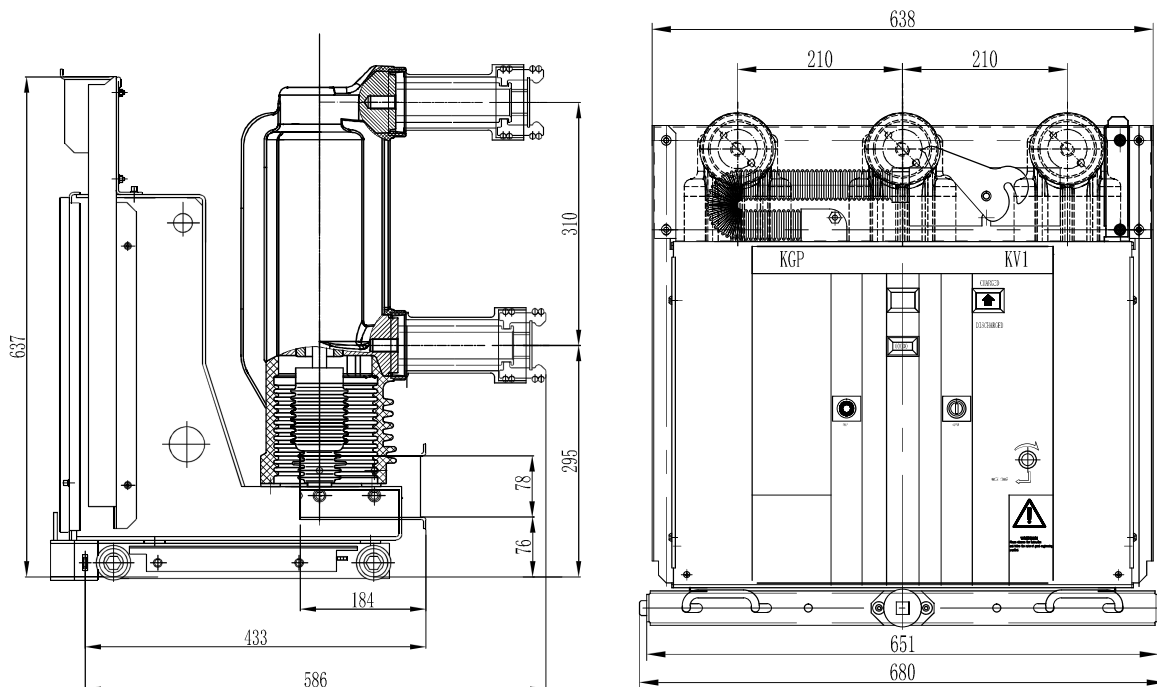


Withdrawable type: KV1 - 2162F



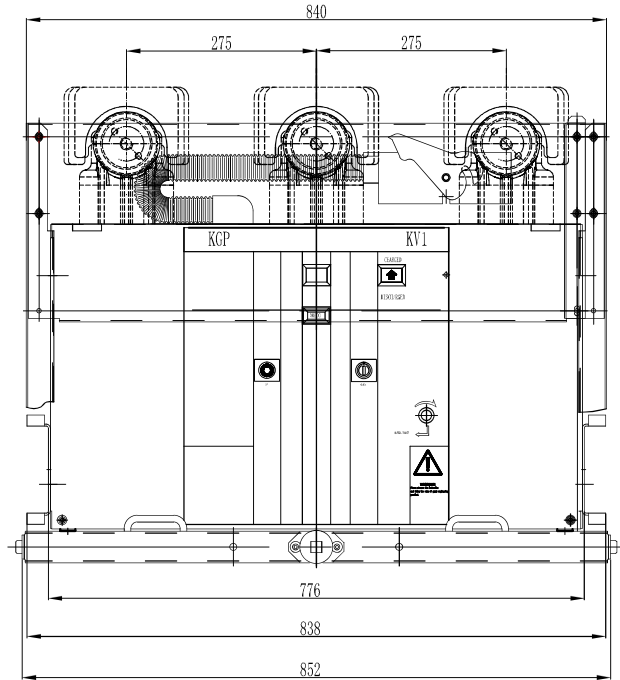
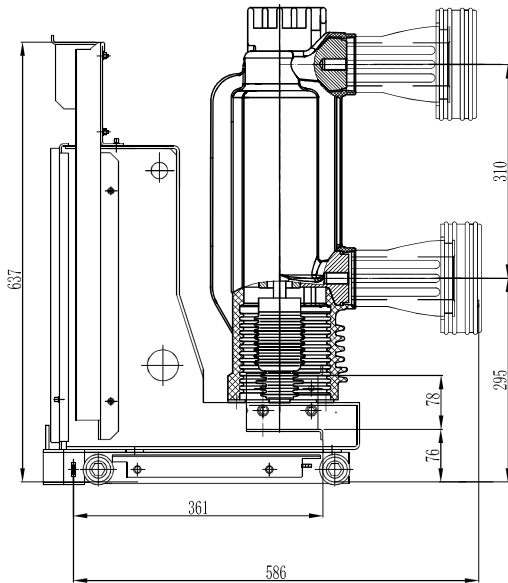
12kV

Withdrawable type: KV1-2144/2154/2164F



Withdrawable type: KV1-2156/2166I

12kV



Withdrawable type: KV1-2157/2158/2167/2168I

